

# Klemmplan

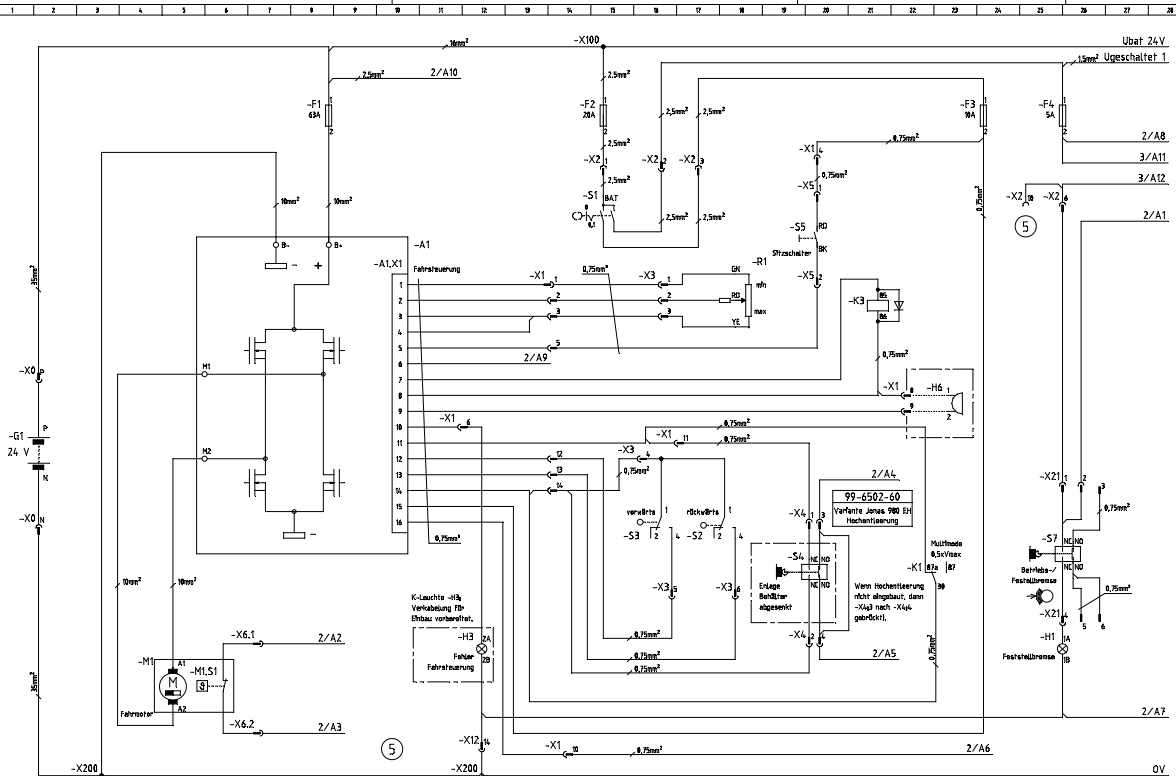
## Circuit diagram

### Hako Jonas 980 E/EH (6502.40/6502.60)

Gültig ab: Oktober 2004  
Valid from: October 2004

Ref.	Designation	Curr. path
A1	Control unit	/1.8
B1	Filter monitoring pressure switch	/2.23
E1	Front left lighting (lighting OPTION)	/3.17
E2	Front right lighting (lighting OPTION)	/3.17
E4	Left rear light (lighting OPTION)	/3.20
E5	Right rear light (lighting OPTION)	/3.22
F1	63A fuse, control unit power module	/1.8
F2	20A pre-fuse U switched 1 and 2	/1.15
F3	10A fuse control unit controlling	/1.24
F4	5A fuse control panel indicators, r-h rear light	/1.26
F5	10A fuse horn	/2.14
F6	5A fuse LDS and main motor controlling	/2.7
F7	5A fuse LDS measurement	/2.11
F8	7.5A fuse lighting (lighting OPTION)	/3.17
F9	7.5A fuse lifted-up disposal controlling (6502-60 only)	/3.11
F10	30A fuse vacuum cleaner (vacuum cleaner OPTION)	/3.28
F11	30A fuse shaking motor	/2.26
F12	63A fuse main motor	/2.3
F13	30A fuse hydraulic motor lifted-up disposal (6502-60 only)	/3.4
F14	5A fuse flashlight (rotating beacon OPTION)	/2.17
G1	24V battery	/1.2
H1	Parking brake pilot lamp	/1.26
H2	Pilot lamp permanent light = filter soiled or flashing light = shaking motor operation	/2.21
H3	Pilot lamp, control unit malfunction (assembly prepared)	/1.12
H4	Pilot lamp "filter flap open"	/2.20
H5	Horn	/2.14
H6	Buzzer (prepared, not fitted)	/1.23
H7	Flashlight (rotating beacon OPTION)	/2.17
K1	Relay Multimode	/2.7
K2	Relay main motor	/2.5
K3	Relay	/1.21
K4	Time relay filter monitoring tripping delay	/2.23
K5	Impulse relay shaking	/2.26
K6	Relay lifted-up disposal (6502-60 only)	/3.7
K7	Relay lifted-up disposal (6502-60 only)	/3.8

Ref.	Designation	Curr. path
K8	Relay lifted-up disposal (6502-60 only)	/3.14
K9	Relay lifted-up disposal (6502-60 only)	/3.15
K10	Relay lift hopper (6502-60 only)	/3.9
K11	Relay lower hopper (6502-60 only)	/3.12
K12	Relay	/2.10
M1	Drive motor	/1.5
M1.S1	Thermal contactor drive motor	/1.6
M2	Main motor	/2.3
M2.S1	Thermal contactor main motor	/2.5
M3	Shaking motor	/2.27
M4	Hydraulic motor lifted-up disposal (6502-60 only)	/3.2
M5	Vacuum cleaner (vacuum cleaner OPTION)	/3.27
R1	Drive rheostat	/1.18
R2	7k5 resistor to -K5	/2.24
S1	Key switch	/1.15
S2	Micro-switch reverse ride	/1.18
S3	Micro-switch forward ride	/1.16
S4	Micro-switch hopper lowered (6502-60 only)	/1.20
S5	Seat switch	/1.20
S6	Micro-switch main motor	/2.5
S7	Service/parking brake switch	/1.26
S8	Flashlight switch (rotating beacon OPTION)	/2.17
S9	Horn button	/2.14
S10	Micro-switch shaking	/2.23
S11	Micro-switch filter flap	/2.19
S12	Lighting switch (lighting OPTION)	/3.17
S14	Two-hand switch lifted-up disposal (6502-60 only)	/3.11
S15	Lift/lower hopper (6502-60 only)	/3.11
V1	Diode	/2.15
V2	Diode (6502-60 only)	/3.8
V3	Diode (6502-60 only)	/3.13
V4	Diode (6502-60 only)	/3.9
V5	Diode (6502-60 only)	/3.12
V8	Diode	/2.21
V9	Diode	/2.25
Z1	LDS	/2.10



OV

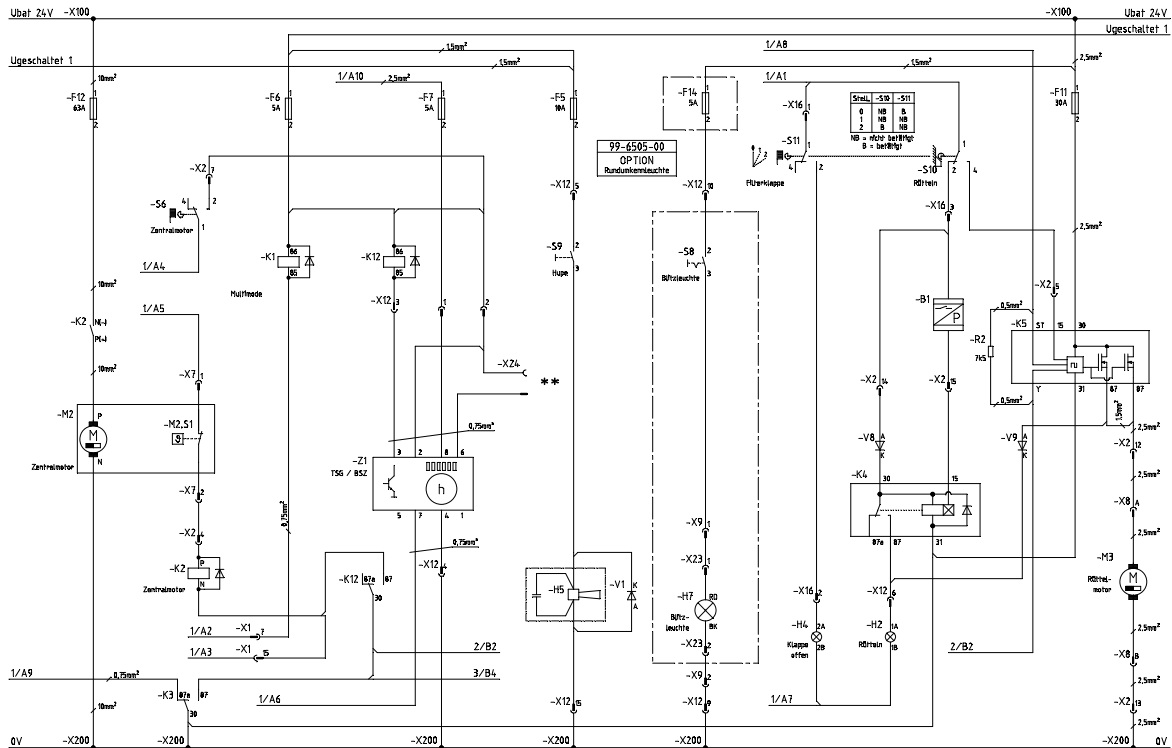
Alle Leitungen ohne Querschnittsangaben sind grau besetzt

=		5		Zc		0190-01		20.10.04		MP.		2003		Datum		Name		VES-Nr.:		Benennung		Zeichnungs-Nr.					
+		Nr.		Zeit		tome		Ver.		Änd.-Nr.		Datum		Name		Nenngegen.		Änd. Nr.:		0041-22		KLEMMPLAN Jonas 980 E/EH		91-02102-2			
																						Typ: 602-44/00		Blattzahl: 4		Blatt: 1	

Hafco-Werke GmbH &amp; Co. KG, 32084 Paul-Grothe

Typ: 602-44/00

Blattzahl: 4 Blatt: 1



\*\* Hinweis:  
Steckverbinder -X24 zusammenstecken  
für Konfigurationsmodus TSG.

=		5		0190-01		20.10.04		NP.		2003		Datum		Name		YES-Nr.:	
		s		/.		20.10.04		NP.		Gezeichnet		05.11.		Kuppe		Ersatz für	
+		No		Zust		Änd.-Nr.		Datum		Name		Nenngegen.		Änd. Nr.:		0041-22	
KLEMMPLAN Jonas 980 E/EH																	

Benennung  
KLEMMPLAN Jonas 980 E/EH

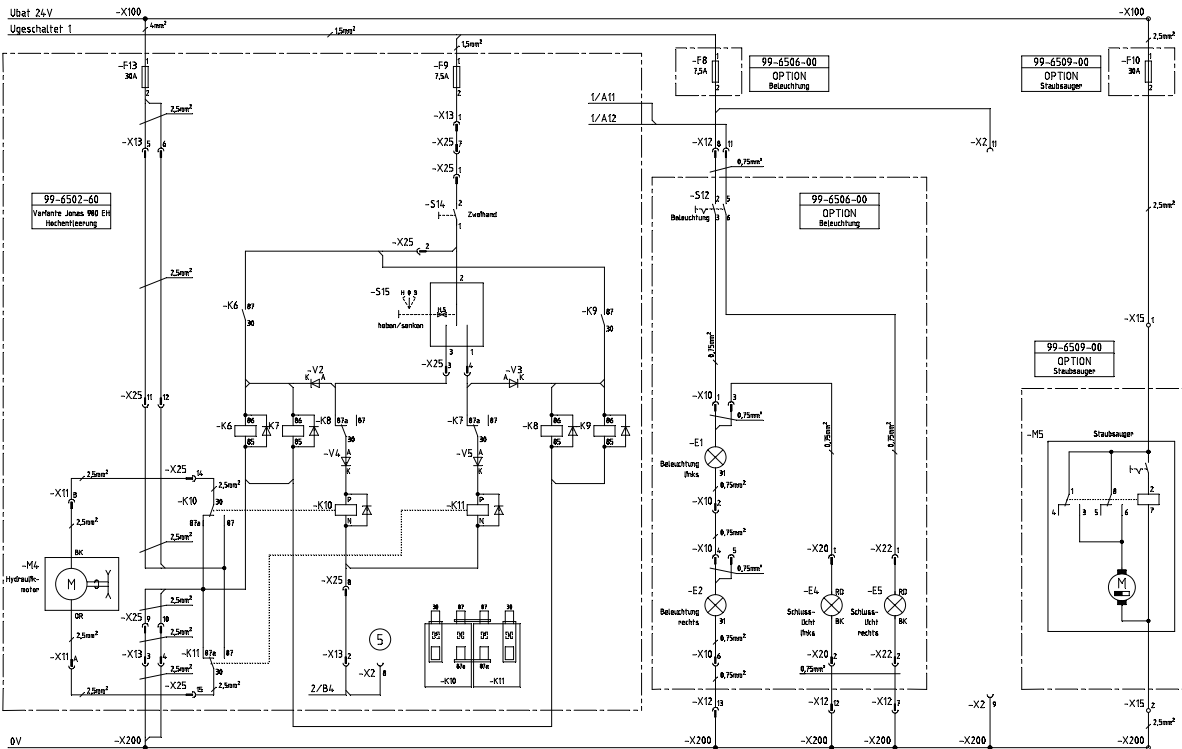
Bitte diese Zeichnung beachten und wie eine Richtlinie einzeichnen! (DIN 461)

Alle Leistungen ohne Querschnittangaben sind grau bzw. \*

Zeichnungs-Nr.  
91-02102-2

Blattzahl 6

Blatt 2



PL0TDATUM: 22.10.2004, B-Stand 007 / NP. / 20.10.04 0/4 / Kupre / 20.10.04

Alle Leitungen ohne Querschnittsangaben sind grau best.!

=	5	Tc	0190-01	20.10.04	NP.	2003	Datum	Name	YES-Nr.:	Benennung	Zeichnungs-Nr.	Hilti-Werkzeu GmbH & Co D-72074 Paul-Grothaus	91-02102-2
						Gesetzlich	05.11.	MP	Erstsz. IDN				
+			Nr. Zeichnung	Änd.-Nr.	Datum	Name	Namensgep.		Änd. Nr.:	0041-22	Für diese Zeichnung bestehen vier als Rechte verzeichnete DIN A4		Typ: 0002-44/00

